

THIS NEWSLETTER IS PUBLISHED BY THE
PORT ELIZABETH AMATEUR RADIO SOCIETY

P.O. BOX 10402
LINTON GRANGE
6015

November 1997

NOTICE OF MEETING

The monthly general meeting of the **PORT ELIZABETH AMATEUR RADIO SOCIETY** will be held on **Friday, 21 November 1997** commencing at 20:00 (8pm) in the Municipal Disaster Management Centre in Westview Drive, Mill Park, Port Elizabeth (Civil Defence Centre).

A visiting ham from Germany, Manfred Franz DJ7OX, will speak on the manufacture of coaxial cables. Duppie, ZS6BDD, who runs the only coax cable factory in the RSA, will bring Manfred to us. [Now, don't go asking for 30 metre samples!]

Bill ZS2ABZ will do his thing with refreshments for the tea break, so bring a couple o' bob to pop into the collection plate.

Technical Evening

The next technical evening will be on Thursday, 27 November, starting at 20:00, in the Clubhouse (address above). It will involve the assembly (for the newer constructors) of a Christmas tree light flasher unit, while the more advanced bods will attack the construction of a frequency counter, using a PIC chip and 7-digit display. It will have an accuracy of 10 Hz at 15 MHz!

Here is your opportunity to put together an almost *essential* item for your ham shack, but at a fraction of the cost of a commercial job!

Another very informative technical evening was held last month. Viv ZS2VM demonstrated the use of a Gate Dip Oscillator, and construction details for a homebrew unit were made available to those interested in "rolling their own". At least two members have started such a project.

Richard McIntyre ZR2RK put together a LED voltmeter using only 10 LEDs, an IC and two resistors. It was tested against a Fluke meter, and the accuracy found to be within 0,5V!

CLUB DINNER

Dick ZS2RS has arranged for a Society luncheon at the Swartkops Yacht Club on Sunday, 30 November. The cost will be about R30 a head (the body gets it free) and dress is smart casual. That *excludes* short pants, so your Editor can't go. Ties, however, are optional and so, presumably, are jackets.

Please let a Committee member know if you plan to attend. This may be done at the general meeting on 21 November. [Bring a pair of longs for the Editor.]



A word

from the Chair

JOTA HAS COME AND GONE, and in my opinion, was far better appreciated by the youngsters involved than in past years. Some of the Guides and Scouts had the opportunity of talking to their counterparts around the country as per usual, and this must have left some positive impressions of Amateur Radio in their minds.

A packet station was also set up, and printouts of all messages addressed to "JOTA" were pinned up on a nearby wall. Many thanks must go to those involved with planning and setting up the station, and also to those folks who made an appearance at the Willows site, even if it was just to say "hi".

It is difficult to comprehend that we are about to have our final meeting for 1997 this Friday - *time flies when you're having fun!* Please come along and join us for the meeting, and an interesting chat by a visiting German ham, Manfred Franz, DJ7OX.

73,

Chris, ZS2AAW

HAMNET/ECARES NEWS

General Meeting

The next general meeting takes place on Wednesday, 26 November at 1930 at the Municipal Disaster Management Centre. Items on the agenda include ECARES progress, donations to ECARES, ID cards, weekly nets and membership of one or other disaster management organisation. After the business there will be a briefing on the holiday period operations.

Talk at Meeting

I was asked to give a talk about ECARES at the October general meeting and I was pleased to have the opportunity to do so. Questions asked and statements made afterwards served to highlight the advisability of belonging and learning what it is all about.

Three matters in particular were monitoring, legal liability and recognition by authorities. These will be dealt with in Hamnet/ECARES News in due course. I will deal with monitoring first as I intended dealing with it this month anyway because of the holiday season which is on our doorstep.

Monitoring

After my talk, ECARES was criticized for concentrating its monitoring on six metres. Firstly, the formation of ECARES does not alter emergencies or the most suitable method of monitoring. Let us look at Hamnet/ECARES monitoring over the past two years. Hamnet News in QSX of December, 1995 states and I quote: "At all times, and especially over holiday periods, members should try to monitor one or other repeater on two metres, 52,6 MHz on six metres and/or 7070 kHz or 3695 kHz" unquote.

The next mention of monitoring frequencies was in the December, 1996

issue of QSX. Quote "Traffic Monitoring. The holiday season has already started and traffic monitoring is in progress. The East Cape headquarters station will as usual be using the callsign of ZS2DCC and will monitor the Lady's Slipper repeater 145,700 MHz, 52,6 MHz FM, 7070 kHz during the daytime and 3695 kHz at night. If you do not make contact on these frequencies, try the other repeaters, 144,450 MHz simplex or 50,450 MHz simplex" unquote. This has been our official monitoring policy to date.

Future Monitoring

Two Metres

The preferred frequency is Lady's Slipper on 145,700 MHz. Monitoring can also be done on one of the other repeaters or on National Call on 145,500 MHz. When calling for help and as a last resort, try the DX frequency of 144,450 MHz. There may just be someone monitoring there.

High Frequencies

Monitor 7070 kHz SSB during the day and 3695 kHz SSB during the night.

Six Metres

At this stage it is recommended to read the Hamnet News contribution in February 1996 issue of QSX. Because of use made of the above frequencies, noise, interference etc. it is not feasible to monitor them for 24 hours a day and especially through the night.

Because six metres is much quieter and especially because we have recently acquired equipment which has tone operated squelch, it is now feasible to monitor here for 24 hours per day and we still use 52,6 MHz FM. Only a limited number of members have [TO PAGE 10 >

MULTI-DEVICE TESTER

CONDENSED FROM *73 MAGAZINE*, JULY 1980

This audio visual device will test continuity, diodes, transistors, SCRs, FETs and who knows what more. It tests transistors without knowing whether they are PNP or NPN and even if the leadouts are not known. All this with an audio or visual response.

Any method of construction may be used: dead bug, point-to-point wiring, Veroboard or PC board.

USING THE TESTER

- 1) **Continuity** between the red and black will result in a tone being produced by the speaker.
- 2) To **check diodes**, connect between the red and black lead. A good diode will stop current flow in one direction, thus lighting only one LED.

Possible test results are:

Tone and one LED lit - diode is good

Tone and both LEDs lit - diode is shorted

No tone and no LED lit - diode is open

The diode may be connected either way.

- 3) To **check transistors**, the red lead is connected to the collector, the black lead is connected to the emitter, and the blue lead to the base (press S1 with S2 on).

The results could be:

A tone (when S1 is depressed) indicates a good transistor

A tone (prior to S1 being depressed) indicates:

- 1) with *one LED lit* - transistor is connected wrong or
- 2) with *both LEDs lit* - transistor is shorted.

No tone (when S1 depressed) indicates an open transistor.

- 4) To determine if a transistor is a **PNP or an NPN**, remove the collector lead and place it on the terminal occupied by the blue lead. If the *red* LED lights - NPN; if the *green* LED lights - PNP.
- 5) To **check junction FETs**, connect the red lead to the drain, the black lead to source, and the blue lead to the gate. Indications will be the same as for a bipolar transistor.
- 6) To **check SCRs**, connect the red and black leads to the anode and cathode (leads can be reversed), and connect the blue lead to the gate. Depress S1.

Possible results are:

Tone and one LED lit - SCR good

Tone and both LEDs lit - SCR shorted

No tone or LED lit - SCR open

Tone and one LED lit before S1 is depressed - SCR incorrectly connected.

7) To use as an **audio signal generator**. A 750-Hz square wave will be available between the red and black leads. The square wave output produces usable harmonics up into the VHF region.

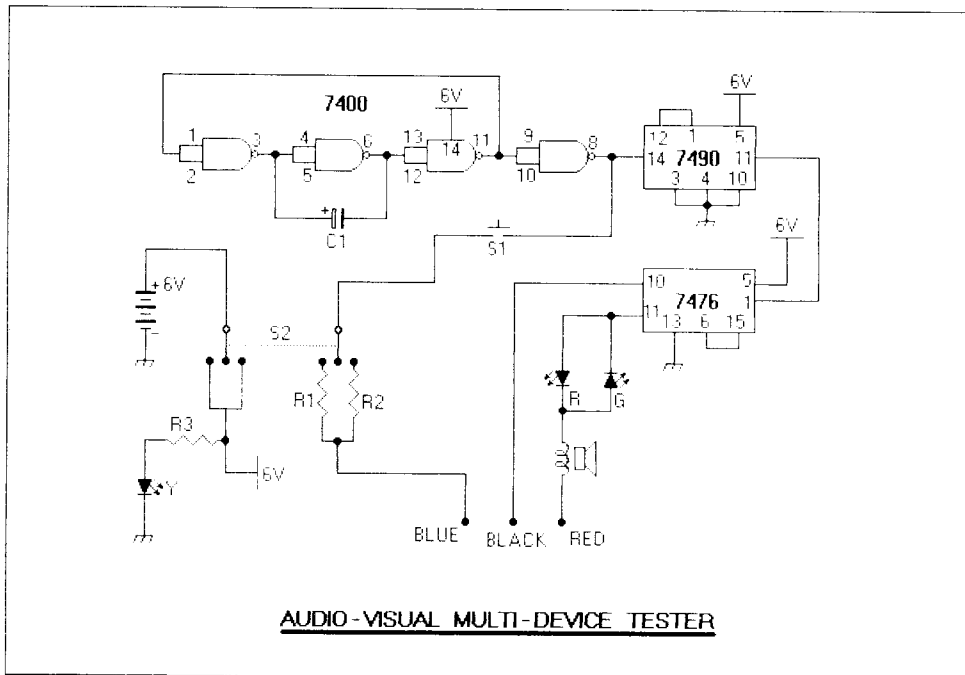
More uses for the ultimate transistor tester will be found by further experimentation.

COMPONENTS LIST

IC 7400	C1 1 μ F electrolytic	Red LED
IC 7476	R1, R3 470 Ω	Green LED
IC 7490	R2 4k7	Yellow LED
S1 Push to make switch	8 Ω Speaker	
S2 DPDT with centre off	AA penlite cells (4)	

R1 is used for low gain transistors.

Yellow LED indicates that the unit is switched on.



MINUTES OF THE MONTHLY GENERAL MEETING OF THE PORT ELIZABETH AMATEUR RADIO SOCIETY HELD AT THE MUNICIPAL DISASTER MANAGEMENT CENTRE, MILL PARK, PORT ELIZABETH ON FRIDAY, 17 OCTOBER 1997

Opening & Welcome: The Chairman welcomed all present, especially Jim France, a newly enrolled member, who is keen to sit the RAE, and also Louis ZS2CB, who we had not seen for some time.

Present & Apologies: Clive ZS2RT and Dick ZS2RS.

Minutes of the Previous Meeting: Adopted on a proposal by Bill ZS2ABZ, seconded by Garth ZS2HB.

Matters Arising:

1. PEARS Dinner - Dick was reported to be still looking for a suitable venue.
2. The Wrinkly Ravens' get-together was a great success, attended by 13 people who thoroughly enjoyed the occasion by all accounts. These events would be repeated regularly.
3. JOTA - Dick had been approached by the Girl Guides - not the Scouts - to set up a station at Paxview, near the Willows. In view of the apparent enthusiasm, it was decided to participate in spite of previous misgivings. Internet would *not* be present at the event. Volunteers were asked to be at the site at 8am to help set up the station and to operate. Several volunteered.

Finance & membership: Trevor provided details in the absence of Clive: Savings R4839, Investments R21415. The Chairman pointed out that some expenditure had yet to be incurred for upgrading the Knysna repeater.

Correspondence: Only other club newsletters had been received.

General:

1. A member referred to the problem that had been experienced with the digipeater. Chris said that Murphy appeared to have been present when he last visited the site to effect repairs and he would attend to the current problem ASAP.
2. A member wished to correct a report in QSX: ZS6BDD Duppie had acquired property in Aston Bay, not PE.
3. Membership - Trevor ZS2AE proposed that consideration be given to the subsidization of a member who was incapacitated and unable to renew his subscriptions. The meeting agreed unanimously.
4. Trevor also suggested that an Honorary Life Membership category be introduced. The proposal was favoured generally. It was suggested, with wide support, that the first such honour should go to Van ZS2Y, being our longest standing member with a history of service to the SARL and the PE Branch from its early years.
- 4.1 Another name was also mentioned but it was felt that the member's contribution to Amateur Radio or the Club, while noteworthy, had not been sufficiently deserving of the top Club honour.
- 4.2 Garth undertook to draft motions for the forthcoming AGM to facilitate the introduction of honorary life membership and the waiving, at the discretion of the Committee, of part or all of the subscription fee of an indigent member.

PEARS MEMBERS - 1 NOV 1997

SURNAME	NAME	CALLSIGN
AKERS	AL F.A.	ZS2U
ALLEN	SEAN N.	ZS2SNA
ANSELL	ALLAN J.	ex ZS2AJ
ASHWELL	COLIN C.	ZS2AO
ATTERIDGE	WILLIAM H.	ZS2V
BARNARD	ATTIE	ZS2Q
BARTLETT	SANDY	ZS2LN
BATT	VIC	ZR2BBH
BAUM	J. (HANI)	ZR2JB
BAUM	GERHARD	ZS2UM
BENT	ALLAN	ZS2BBR
BENTLEY	MIKE	ZS2IC
BORELLO	RICHARD	ZR2RB
BOSCH	MIKE	ZS2FM
BOTES	ANDRE O.	ZS2ACP
BOUWER	EWALT	ZS2EHB
BOWES	GEORGE B.	ZS2QN
BOWLES	ALLAN L.	ZS2BO
BROWNE	BILL W.	ZS2BY
BURGER	DANIEL S.	ZR2B
BUTCHER	DAVID	ZR2DCB
BUTCHER	GRAHAM	ZR2GIB
CARR	STOFFEL JCA	ZS2C
CHATTERTON	ELIZABETH	
CLARKE	RON G.	ZS2MF
CLOETE	ANTON	ZR2BBB
COCKBAIN	THOMAS GE	ZS2TC
CONRADIE	KOBUS	ZR6D
COOKE	GEORGE A.	ZS1JD
COOMBE-DAVIS	LIONEL E.	ZS2DD
CORDER	SHAWN	ZR2SC
CROTHALL	LYNNE	ZS2MM
DAVIS	ROGER	ZS1J
DE JONGH	PETRUS J.	ZS2NQ
DE VOS	PAUL	ZS2ABY
DU PLESSIS	CM NEELS	ZR2ABT
DU PREEZ	ARNO G.	ZS2ABT
FENNELL	G. BARRY	ZS2DT
FENSHAM	KEITH	ZR2KF
FIFE	CLIVE C.	ZS2RT
FITZMAURICE	RON	
FLYNN	DENNIS J.P.	ZS2DB
FLYNN	PETER M.	ZS2PF
FORSYTH	DUDLEY H.	ZS2AW
FOURIE	PIET J.	ZS2FP
FRANCE	JIM	
FULTON	NEIL M.	ZS2MG
GATHERCOLE	GRAEME A.	ZS2OD
GERSTLE	WOLFGANG B.	ZS2WG

SURNAME	NAME	CALLSIGN
GOGOS	ALEX	ZR2T
GRASMAN	LOUIS	
GRAY	ANDREW	ZS2G
GREEFF	ISAAC	ZS2ZG
GRUNEWALD	DAVID	ZS2DCG
GWILT	BEAVAN	ZS2RL
HAEFELE	BRYAN	ZS2BH
HANSLOW	MIKE	ZS1RMS
HAYES	IRIS	ZS2AA
HERSELMAN	BELINDA	ZR2CH
HERSELMAN	DES	ZR2DH
HODGES	WILLIAM A.	ZS2ABZ
HOLMES	TREVOR	ZS2AZR
HOOLE	JAMES C.	ZS2ABM
HOPPER	PHIL R.	ZS2PP
HOPPER	PAM	ZU1PAM
HUGO	JOHN	ZS2J
JASSON	ABRAHAM	ZR2ALJ
JASSON	ELIZABETH	ZR2EJ
JASSON	JOE	ZR2JLJ
JASSON	MICHAEL	ZR2MIC
JONES	JUNE A.	ZS2JJ
JONES	MICHAEL B.	ZS2MJ
JORDAAN	LOUIS	ZR2J
KNOBEL	PIERRE W.	ZS2ABC
LAAKS	GARY	ZR2ABU
LAAKS	GARTH C.	ZS2HB
LANGLEY	EDWARD I.	ZS2PU
LAYTON	SHARON	ZS2SL
LE DOUX	LAMBERT	ZS2LL
LIEBENBERG	PIETER J.	ZS2PL
LIGTHELM	DIRK	ZS2D
LUNOW	PETER E.	ZR2PEL
MAGEE	JOHN E.	ZS2RG
MANAN	RAFIQ	
MARSHALL	BRYAN T.	ZS1NQ
MASH	ROWLAND	ZS2-067
MATHIESON	EWAN A.D.	ZS2EN
MCINTYRE	RICHARD	ZR2RK
MCINTYRE	VAUGHAN	ZR2VG
MOOLMAN	JACK C.L.	ZS2KU

SURNAME	NAME	CALLSIGN
MOORE	VIV	ZS2VM
MORGAN	MIKE	ZR2MH
MOSLEY	CHICK	ZS2LM
NEWMAN	ROY E.	ZS2RN
OLIPHANT	ANDRE	ZR2BC
OLIVIER	ANNE	ZR2ABC
OLIVIER	IVAN	ZS2-0287
OLIVIER	VIC P.L.	ZS2SZ
PECKHAM	BRIAN	ZS2BP
PETTIT	DESMOND R.	ZS2ABU
PIETERSE	JOHANNES L.	ZR2JLP
POKORNY	ROBERT A.	ZS2ABJ
RAVEN	JOHN	ZR2ABH
ROEBERT	NEVILLE	ZS2NR
SALMON	ROB	ZR2AAQ
SALMON	CELIA	ZR2RW
SAUNDERS	LOUIS F.	ZS2CB
SCARR	JULIE	ZR2EY
SCARR	CHRISTOPHER	ZS2AAW
SCARR	TREVOR N.	ZS2AE
SCHAUDER	RAPHAEL	ZS2SP
SCHMIDT	RICHARD E.	
SCHONBORN	DICK R.W.	ZS2RS
SINCLAIR	ANDREW	
SMITH	ALAN	ZS5AG
SMUTS	MIKE N.	ZS2XE
STAPLES	R NOEL	ZS2AAS
STAPLES	SELWYN	ZS6SS
STEPHENSON	ARTHUR O.	ZS2GU
STRUTT	FRED J.	ZS2JS
SWIEGERS	FANIE	ZS2EM
THOMAS	OWEN	ZS2AZ
THOMAS	NICOLAS	
THOMAS	NEIL	
TREMEER	KEN	ZS2BWB
VAN DEN BERG	T DICK	ZS2VV
VAN DER HEIDE	JACQUES	ZS2JH
VAN DER MERWE	ALBRECHT	ZS2JC
VAN DER MERWE	SCHALK W.	ZS2Y
VAN VORSTENBOSC	WIM	ZS2WV
VICTOR	KEN R.R.	ZS2OC
WINTER	D.W.O. (GUS)	ZS2MC




Instant Printing

FOR ALL YOUR
PRINTING REQUIREMENTS



9 St. Patricks Road, Port Elizabeth 6001
Telephone: (041) 55-2614

Try us for your QSL cards!

MINUTES [from page 7]

5. Barry ZS2DT was reported to be in hospital for an operation, and Brian Haefe's XYL was also in hospital after breaking a hip.

After Tea the meeting was given over to Al, who talked on the recent formation of ECARES. He said the decision to establish a second Provincial emergency organisation was not taken lightly, but became essential if hams in the Eastern Cape were to be able to continue providing emergency services. This was not viable with only seven Hamnet members.

ECARES had already recruited 27 members, with others showing an interest in joining. On the other hand, Hamnet had lost most of its members because of the closed-shop attitude by the SARL, ruling that one *must* be a League member in order to belong to Hamnet. Other problems with Hamnet and SARL HQ were also mentioned, among them being that correspondence was not answered.

ECARES would make a point of holding fun events, especially of a kind that would provide good practice for emergency operations.

Chris urged that the Slipper repeater be used for ECARES operations since our use of the site was granted on the understanding that we would assist in emergency situations. Members felt that the current practice of Hamnet/Ecares members mainly monitoring 6 metres was not practical since few mobile stations had a 6m capability.

Trevor suggested that a membership fee of R10 p.a. for Ecares would be appropriate. Members agreed, expressing criticism of SARL HQ's failure to provide funding for Hamnet yet jealously preserving it as an organ of the League.

Closure: The meeting ended at 2100

Hamnet/ECARES [from page 4]

this equipment and to my knowledge, only three do monitor 24 hours per day. Hardly a monitoring takeover. It does, however, serve to improve our monitoring capabilities.

During the holiday period we will once more have the control station using the callsign of ZS2DCC and will try to monitor as much as possible. Members, during their travels, are asked to make traffic

counts where they feel it is warranted and pass this information to the control station. We need to know the number of cars per hour passing and the road and direction of travel.

73,

Al Akers
Provincial Director
Hamnet East Cape and ECARES

FOR SALE ★ WANTED ★ SWOP

FOR SALE

- ★ Icom IC2-SRE **two-metre handheld** with extension mic - R2500*; Yaesu FT480R **two metre all-mode transceiver** - R1500*; Icom IC-R71E **receiver** - R2500*; Trio **receiver** JR-310 - R500*; Lots of **components, valves, boxes, chassis; Oscilloscope** - from shack of late Royden Thompson ZR2ABF - phone Hettie at [0461] 22-873. ***Reasonable offers will be considered.**

PEARStalk

CONTACT!

The movie *CONTACT*, which I saw at the Nu Metro, Walmer Park, can be recommended to all who have a leaning towards the scientific, an interest in ham radio and/or astronomy and a touch of science fiction – and that surely means every ham.

Apart from a short passage somewhat reminiscent of Star Wars, the whole movie was greatly believable and absorbing from start to finish. The sound, in Dolby Digital, was excellent (it *has* to be – OM Mike Bosch ZS2FM instals and maintains the equipment!) but not overpowering, as so often is the case in the modern cinema.

The film opens with a young lass calling CQ and twiddling the knobs at her ham station. This evolves, as she matures, into a quest for radio signals from space. It is a pity that she ended her over with "come back" – as a result, most patrons probably credit CB rather than ham radio for the young girl's thirst for scientific knowledge.

Honorary Life Membership

At the last general meeting it was decided to submit a motion to the next AGM for the establishment of an Honorary Life Membership category so that the Club may honour those members who have given long and excellent service to Ham Radio in general or the Club in particular. A suitable motion will be drafted and some guidelines will need to be drawn up as to the conditions for the award.

Which prompts the thought: are there no PEARS members who deserve any of the various *SARL* awards? When last was any of our members honoured thus? Presumably nominees would need to be members of the League in order to qualify.

SARL Bulletins on CW?

It was announced that the *SARL* bulletins would be transmitted every Tuesday evening using CW on the ZS6FOR beacon. The beacon had not been heard for some time on 7048 kHz and the thought occurred that it had been taken off the air in view of the numerous complaints about it disrupting QSOs in progress. Fact is that it has again shifted, this time to 7027.5 kHz approx., just next to ZS1AG1/b which operates on 7025.

The Gauteng station runs 15 watts into an inverted Vee. Roger, the keeper, says it is destined to become one of a group of beacons worldwide that transmit alternately on the same frequency at fixed intervals. Hopefully he will run a story on it in Radio ZS to explain all its functions..

7048 kHz, where ZS6FOR had been running, also happens to be the frequency on which W1AW (the ARRL Headquarters station) has transmitted bulletins in CW for many years

The keeper of the ZS6FOR beacon is ZS6QL, who is understood to be the *SARL*'s representative for the IARU Monitoring Service (IARUMS), which aims to keep our bands free of

interference.

SARL Membership

After a long struggle with my conscience I succumbed and e-mailed SARL HQ mid September, asking them to debit my credit card with my subscription renewal. Recently I received a reminder inviting me to renew, so they apparently did not act on my e-mail message.

I figured that was the last straw. I shall not react to *their* message either!

I wonder if anyone knows how many members the SARL has?

QSX Delivery erratic

It seems that, once again, many members located in PE received their copies of QSX late, if at all, via the private mail delivery company that we have tried these past few months in an attempt to save a fair amount on postage. Some members report that their copies arrived in their letter boxes at strange times, e.g. overnight or on a Sunday. Our Circulation Manager, Trevor, is attending to the problem.

Oddly, the PE people have apparently not been closed down by the Post Office as was the case with similar services in EL and Johannesburg.

Picnic? Tea on the Lawn?

The success of the Wrinkly Ravens' monthly outings seems to confirm the desire among members for more social activities.

This reminds me of the practice in East London years ago when a score or more members, their wives and kids would get together after bulletin every

Sunday morning.

Initially the venue was a caravan park but, later, various members took turns to play host at their homes. These were down-to-earth, happy-go-lucky get-togethers, usually outdoors with everyone lolling on the lawn.

Don't we want something like that?

PEARS Library

The Club library now operates at the saltmine of our Librarian Des Herselman ZR2DH. The QTH is MTS Electronics, 379 Govan Mbeki Avenue (previously Main Street – we mention this in case funds ran out before all the name signs could be replaced). That's in North End, which could perhaps do with a name change itself. Gomad I-teksi Speedway?

Library books can be perused (table and chair provided) or booked out on loan.

Wrinklies Rave Regularly

The Wrinkly Ravens get together on the first Thursday of the month. These are the retired okes and okesses who assemble over a good luncheon to swap some yarns and just enjoy the company.

From all accounts they have a wild time but have so far escaped bodily harm and damage to their hearing aids, crutches and spokes. Contact Ken ZS2BWB a week before the event if you would like to participate.

☐ The Sasolburg RC's *QRX* informs us that we honourable Wrinkly Ones are quite valuable: we have silver in the hair, gold in the teeth, stones in the gall bladder, water on the knees, lead in the feet and gas in the belly!

I guess the water on the knees comes from the spring in our step, the constant supply of nails from the iron in our bodies, and the lights in our

eyes from our electric personalities?

Components catalogue

Maplin SA's catalogue lists some 17 000 products, including electronic components, kits and ready-made items for the home and the hobbyist. Your Editor has a copy, together with their Christmas Promo update, and members are welcome to come have a looksee. I won't lend it out because I always forget who borrows my things.

Life's Like That

When I was a fisherman I wrote a song, which I called "Carbide Lamp in the Breeze". It didn't sell a single copy. Now some upstart comes along, calls it "Candle in the Wind" and *he cleans up!*

RAE Candidates

As this issue is being assembled, the RAE is taking place. We trust that all deserving candidates will, in due course, receive happy tidings. As always, we would like candidates to inform at least *someone* on the Committee – preferably Al Akers ZS2U, who is the Club's Technical Class Co-ordinator – as soon as he/she receives the notification.

JOTA

The Girl Guides, at whose request PEARS participated in this year's JOTA after having previously considered it no longer worthwhile, certainly made the event interesting for all this year. PEARS members who turned up at the Guide camp Paxview, opposite the Willows, to erect and operate a JOTA station were rewarded with a warm reception.

The Guides and Scouts were formed into various activity groups and, while one group took a turn at the ham station, others were involved with signal flags, talks about radio (especially ham radio) etc. Hats off to Chris ZS2AAW for establishing a packet station too!

One activity – the erection of a tent with the team *blindfolded!* – was interesting to watch. Maybe we should try erecting a field station blindfolded?

CW Classes

Owen ZS2AZ is providing slow morse classes on the linked repeater system from 19:00 to 19:30 every weekday evening. Please let him know if you are making use of his services.

Morse Fills the Gap

Last month we mentioned how an international body was propagating the use of morse to help rehabilitate and educate people with special needs and disabilities. Now we read in the Midlands ARC's Hams Haywire News of a patient at a hospital in Howick who has learnt to communicate in morse code by tapping a lever with his left foot! He previously wrote a book by manipulating alphabet blocks with his elbow to spell out words.

And *you* say you can't learn CW??

Recruiting

Shawn ZR2SC seems to have had some success in interesting students of a local technical institution in Ham Radio. We look forward to drawing the young people into the fold. Good work, Shawn!



Condolences – We sympathize with Kathy and Wolf Gerstle ZS2WG and family on the passing of Wolf's father in Germany early in October.

Congratulations...

on your birthdays:

November

- 19 Henk-Jan Busse
- 26 Jeffrey de Reuck
Fred Strutt ZS2JS
- 27 Bob Urquhart
- 28 Gerald Taylor ZS2AAX

December

- 1 Ronnie Drescher ZR2AD
Rowland Mash ZS2-067
- 5 Clive Fife ZS2RT
- 6 Lionel Coombe-Davis ZS2DD
- 10 Lou Middendorp ZS2UI
- 12 Phil Bothma ZS2B
- 13 Kay Strutt XYL of Fred ZS2JS
- 14 David Butcher ZR2DCB
- 15 Bryan Haefele ZR2BG
- 18 Anne Olivier ZR2ABC
Liezle Allen XYL of ZS2SNA
- 20 Marlene Ashwell ZR2ED
Marlene Grey XYL of ZS2G
- 21 Paul de Vos ZS2ABY
Ron Clarke ZS2MF

on your anniversaries:

November

None in this QSX period

December

- 8 Lucia & Eddie Coetzee
- 9 Dot & Vic Plumridge ZS2VP
- 10 June & Mike Jones ZS2JJ/ZS2MJ
- 12 Jane & Clive Fife ZS2RT
Gail ZS2TM & Chick ZS2LM Mosley
- 13 Martie & Dick van der Berg ZS2VV
- 16 Marlene ZR2ED & Colin ZSAO
Ashwell

on your new callsigns Gail Mosley

ZR2SGT, now sporting ZS2TM, and Attie Barnard ZR2DY, now ZS2Q.

Sick list: Barry Fennel ZS2DT, in St. George's Hospital since October; Bryan Haefele ZS2BH in and out early October, and waiting to return but meanwhile his XYL Beryl broke a hip and has been in Polyclinic for some time. The hip dislocated before she even got out of bed, delaying her return home.

Gus ZS2MC fell through a ceiling while helping to fix a TV antenna in EL, and didn't do his ribs any good.

We wish you all a speedy restoration to good health and strength. Take care!

Gadding: Roger Davis ZS1J, looking at places on the Med with a view to emigrating next year. Hope he doesn't like anything he sees.

New Member: Welcome to Jim France, who joined PEARS at the October meeting.

Welcome back Viv ZS2VM and Peggy Moore from Cape Town, and Gus ZS2MC and Shirley Winter from their round trip. Gus sends 73 from Viv ZS6CAA. Also Anne and Vic Olivier did a sly trip to Oz without telling us and are now back home.

Dranged: André Oliphant ZR2BC and children were fortunately not seriously hurt when his car was written off in an accident. Our sympathy, André.



Your Society's Committee

Chairman, Repeaters, Packet	Chris Scarr ZS2AAW	38-1344
Vice Chairman, Social	Dick Schönborn ZS2RS	38-5070
Secretary, Awards	Beavan Gwilt ZS2RI	30-6968
Treasurer, Assets Control	Clive Fife ZS2RT	32-3203
Social: Assisting with Assets Control	Lynne Crothall ZS2MM	35-4671
assisting with refreshments at meetings	Bill Hodges ZS2ABZ	51-2580
QSO Manager	Trevor Scarr ZS2AE	32-1746
assisting as QSO Editor/layout	Garth Laaks ZS2HB	38-1101
Technical Classes	Des Herselman ZR2DH	54-2911 (W)
		Cell 083 261 5402 (All Hrs)

PEARS' VHF & Other Services

REPEATERS

Town VHF	145.050/650	Kareedouw	† 145.125/725
Town UHF	431.050/438.650	Knysna	*145.150/750
Cockscomb	145.000/600	Lady's Slipper	*145.100/700
Craddock	145.050/650	Uitenhage	145.075/675
Grahamstown	*145.150/750	Theescombe	† 145.175/775

* The East London 145.125/725 MHz repeater and the George repeater on 145.100/700 are linked to PE's long-range 2m repeater system.

† These are privately owned repeaters and are not included in the PEARS linked repeater system.

OTHER SERVICES

Packet Bulletin Board (ZSONIP)	144.625
Packet Rose Switch ZSOGHI-3.046101 (144.675 m/out) or 046102 (UHF out to BBS)	144.675
2m Beacon (ZS2VHF CW ID) (horizontally polarized)	144.910
6m Beacon (ZS2SIX CW ID) (horizontally polarized)	50.005
6m Link with Lady's Slipper 2m Repeater	51.400
Wefax Relay (Meteosat)	145.350

Sunday Bulletins

PEARS bulletins are transmitted on Sundays immediately after the SARI, English transmission, i.e. at about 08:45 on 7098 kHz as well as the 2 metre linked network that provides coverage from East London to George and environs via repeaters on 145.750 MHz (Grahamstown), 145.700 (PE Slipper), 145.750 (Knysna), George's 145.700 and East London's 145.725. PEARS' 7098 or 3640 kHz transceive facilities are also remotely linked as needed. In addition, the SARI's 40m transmissions on 7082 or 7066 kHz can be remotely patched into the 2m network.

Date	Prepare and Read on 145,750
23 Nov	ZS2AE
30	ZS2MM
7 Dec	ZR2DH
14	ZS2AAW
21	ZS2RS
28	ZS2RT

DIARY DATES

NOVEMBER

- 21 PEARS Monthly meeting
- 26 ECARES/Hamnet mtg
- 27 Technical evening
- 30 PEARS luncheon (?)

DECEMBER

No Society meeting

★ We Like Being Your Society! ★